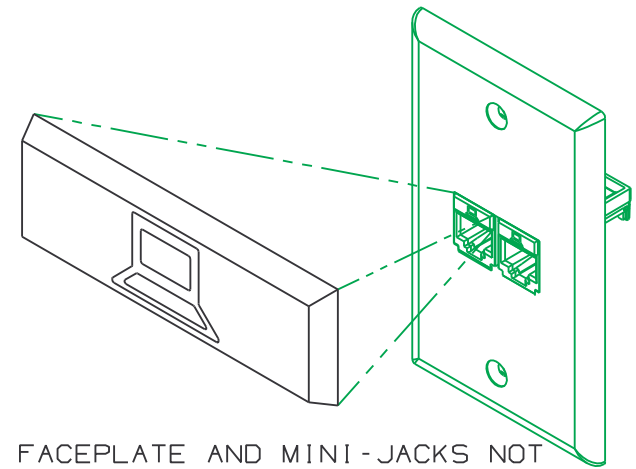
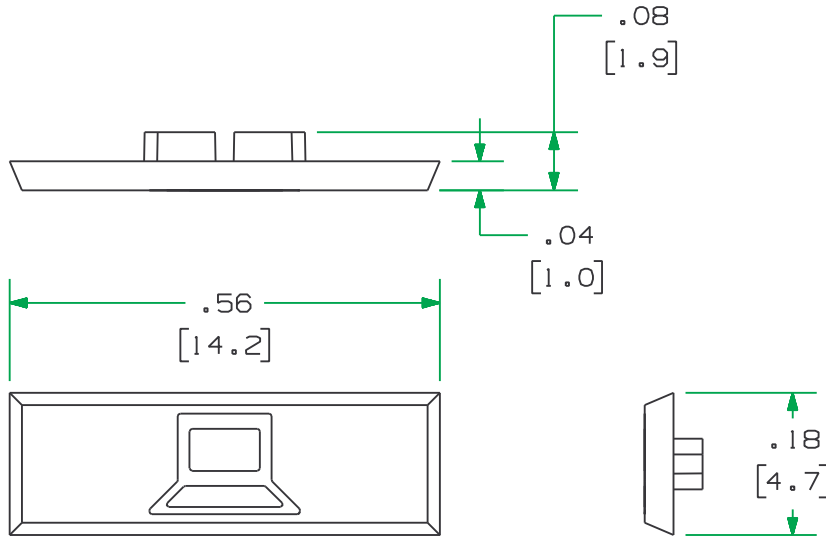


THIS COPY IS PROVIDED ON A RESTRICTED BASIS AND IS NOT TO BE USED IN ANY WAY DETRIMENTAL TO THE INTERESTS OF PANDUIT CORP.

PANDUIT P/N	WEIGHT
CID**-C	.015 LB/100 PCS (7.0 g/100 PCS)

- NOTES:
- \*\*1. SEE CURRENT CATALOG FOR ADDITIONAL PART NUMBER SUFFIXES TO INDICATE COLOR AND OR PACKAGE QUANTITY.
  - SEE CATALOG FOR COMPLETE LIST OF PARTS APPLICABLE FOR USE WITH THIS PART.
  - DIMENSIONS IN PARENTHESES ARE IN METRIC.



CAD FILENAME/LAYERS		M00633CB_DC_00A.PRT	
<b>PANDUIT</b> CORP. TINLEY PARK, ILLINOIS			
PAN-NET JACK ICON, DATA (CID**-C) CUSTOMER DRAWING			
UNLESS OTHERWISE SPECIFIED, DIMENSIONAL TOLERANCES ARE: (.X) ± (.XXX) ± .010 (.3) (.XX) ± .03 (.8) ANGLES ±		UNLESS OTHERWISE SPECIFIED, ALL DIMENSIONS ARE GIVEN IN INCHES, THIRD ANGLE PROJECTION.	
DRAWN BY JsP	MAT'L: ABS	SCALE NONE	DWG A
DATE 8-25-99	CHECKED BY	DRAWING NO. 00633-03	SIZE A

REV	DATE	BY	CHK	DESCRIPTION	ECN	CHK	CUST	SUP
R	8-25-99	JsP		RELEASED TO PRODUCTION.	00633-03			